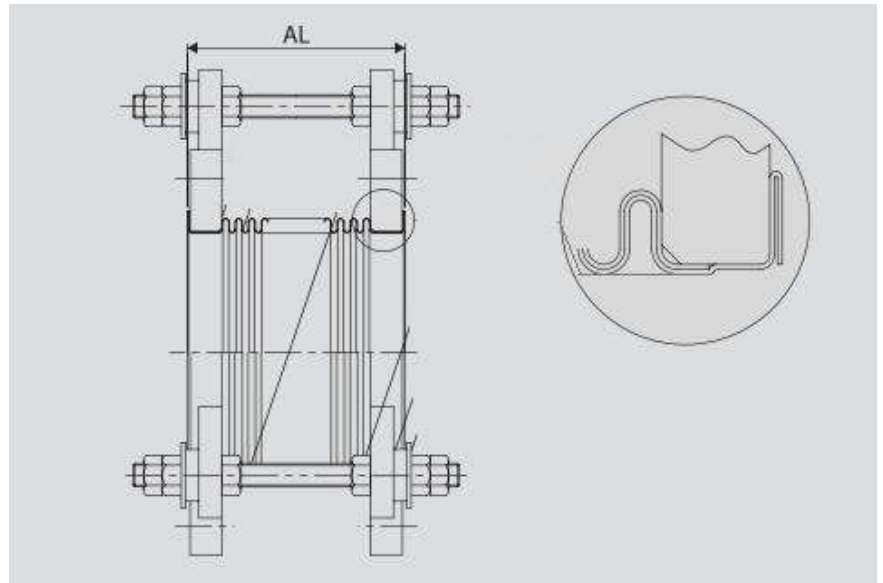


STAINLESS STEEL 304 EXPANSION JOINT: B7-1-PN-16-4-4



Max Working Temperature: 250°C

Max Working Pressure: 16 bars

Specification

| Item | Size (mm) | AL (mm) | Axial Movement (±mm) |
|---------------|-----------|---------|----------------------|
| B7-1-PN16-4-4 | DN20 | 120 | ±16 |
| B7-1-PN16-4-4 | DN25 | 120 | ±16 |
| B7-1-PN16-4-4 | DN32 | 120 | ±16 |
| B7-1-PN16-4-4 | DN40 | 120 | ±16 |
| B7-1-PN16-4-4 | DN50 | 150 | ±22 |
| B7-1-PN16-4-4 | DN65 | 150 | ±22 |
| B7-1-PN16-4-4 | DN80 | 150 | ±22 |
| B7-1-PN16-4-4 | DN100 | 200 | ±20 |
| B7-1-PN16-4-4 | DN125 | 200 | ±20 |
| B7-1-PN16-4-4 | DN150 | 200 | ±20 |
| B7-1-PN16-4-4 | DN200 | 250 | ±20 |
| B7-1-PN16-4-4 | DN250 | 250 | ±20 |
| B7-1-PN16-4-4 | DN300 | 250 | ±20 |

STAINLESS STEEL 304 EXPANSION JOINT: B7-1-PN-16-4-4

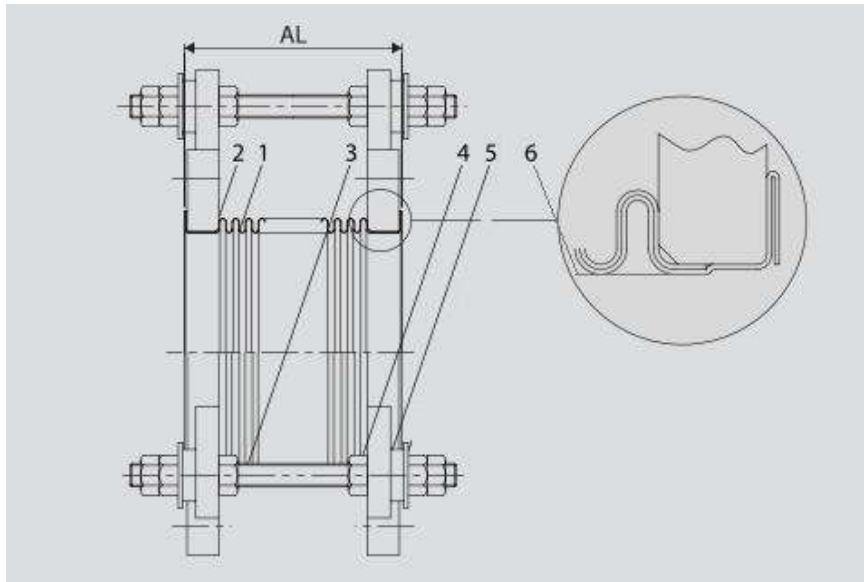
Applicable Fluid: Oil, Water, Hot Water, Steam, Gas, Air...

Limited Working Pressure: 16 Bars

Rating Standard Test Pressure: 1.5Times of Working Pressure

Rating Bursting Pressure: 4 Times of Working Pressure

- Another: Length, Working Pressure, Material, Specification can be changed, please request.



| No | Parts | Material |
|----|------------|--------------|
| 1 | Bellows | SUS304 |
| 2 | Flange | SUS304 |
| 3 | Limit Rods | Carbon Steel |
| 4 | Nuts | Carbon Steel |
| 5 | Holder | Carbon Steel |
| 6 | Sleeve | SUS304 |